



IMMI[®]

18881 IMMI Way
Westfield, IN 46074-3001
U.S.A.

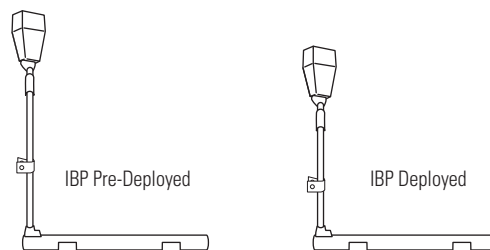
www.imminet.com

IBP Installation Instructions

What is the IBP and how does it work?

In the event of a rollover, the IBP deploys at certain static seating positions. The IBP deploys retracts the cable and buckle, removing slack from the belt.

The IBP is only effective when you wear your seat belt.
ALWAYS WEAR YOUR SEAT BELT.



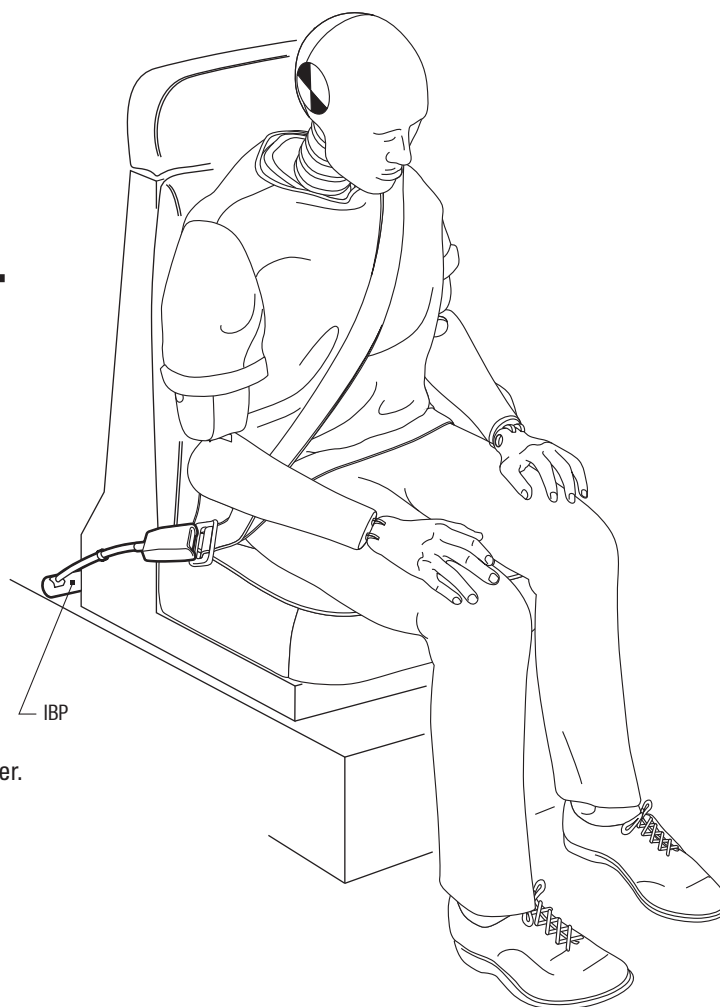
Important Facts

PLEASE READ THIS ENTIRE GUIDE BEFORE INSTALLING THE IBP.

- The IBP is to be used in a specific vehicle application and seating position.
- Always use and follow vehicle manufacturer's installation guide. This installation guide should only be used in addition to the vehicle manufacturer's guide.
- Use only SAE Grade 5 or 8, 7/16-20 UNF-2A fasteners. Use self-locking nuts only.

IBP Installation

1. Do not puncture or drill.
2. Do not mount anything near the unit that could interfere with the travel path of the buckle.
3. Always disconnect vehicle batteries and remove vehicle key before accessing electrical connection.
4. If replacing a previously installed system, disconnect the Roll Sensor(s) from the wire harness.
5. Roll Sensor connections should always be made last. Ensure sensor is disconnected!
6. Do not service unit. Take unit to authorized dealer for replacement.
7. The unit is designed to activate once. After the system activated or if it is damaged, the unit must be replaced by an authorized dealer.



⚠ WARNING

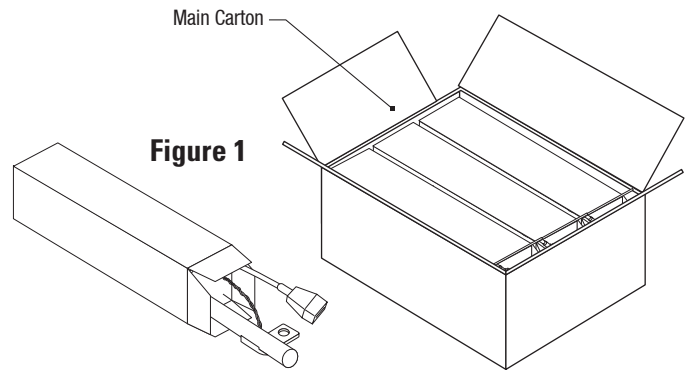
DO NOT APPLY HEAT
Temperatures over 85° C (185° F)
could cause the unit to deploy. The
deploying IBP could cause injury.

⚠ WARNING

HAZARDOUS OPERATION
Applying power prematurely could deploy occupant protective
devices, causing serious injury to installer. Disconnect and tag out
power. Always make connections to Roll Sensor last. Keep clear of
protective devices when first applying power.

Unpacking the IBP

1. Remove unit from main carton. There are 6 units per carton. See **FIGURE 1**.
2. If parts need to be returned, they must be returned in the original packaging, assuring conformance to all applicable regulations for transportation of Class 9 Dangerous Goods.



Product Identification

1. Locate the product identification label. This is located on the top surface of the unit. See **FIGURE 2**
2. Verify your unit is the proper system for your configuration.
3. If you feel you do not have the correct unit for your vehicle, contact IMMI at 317-896-9531.

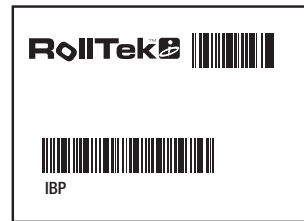


Figure 2

Mounting IBP to Vehicle

1. The IBP is designed to be used with either ABTS seats or non-ABTS seats. The IBPs may be mounted onto the rear wall for jump seat applications.
2. Use only pre-drilled mounting holes.
3. Metal to metal contact is mandatory on all mounting points. If using backwall mounting, spacing bushers are required.
4. For ABTS seats, position seat in cab and align seat holes with cab mounting holes. See **FIGURE 3**. Align the IBP with the rear seat mounting holes on the ABTS seats and insert bolts. For rear wall mounting, position and align IBP with pre-drilled holes on cab. See **FIGURE 4**.
5. Position the unit in place. Make sure wiring harness is free and not pinched under unit.
6. For non-ABTS seats, position the IBP mounting holes with the pre-drilled holes on cab floor and insert bolts. Make sure wiring harness is free and not pinched under unit. See **FIGURE 5**.
7. **DO NOT MAKE WIRING HARNESS CONNECTION TO UNIT AT THIS TIME.**
8. Hand START all mounting bolts into their mounting holes. Using a Torx T-50, tighten bolts.
9. Torque each mounting bolt (4) on IBP to 36 to 45 ft.-lbs. (47 to 61 N-m).
10. After IBPs are bolted into place, properly position cable buckles by using cable clamp supplied with IBP. See **FIGURE 6**. On certain ABTS seats, a small screw can be removed and used to secure cable clamp. If cable clamp cannot be used, then remove and discard clamp.
11. Carefully plug IBP wiring harness to truck harness. Make sure connectors are snapped together.

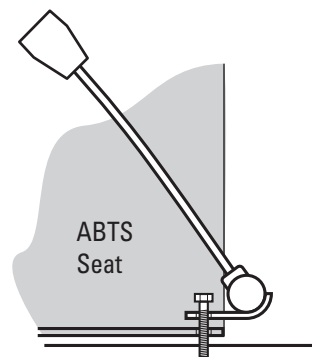


Figure 3

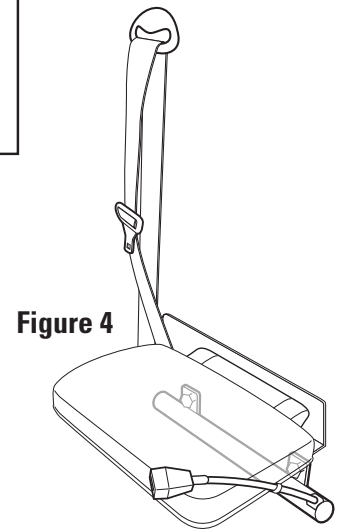


Figure 4

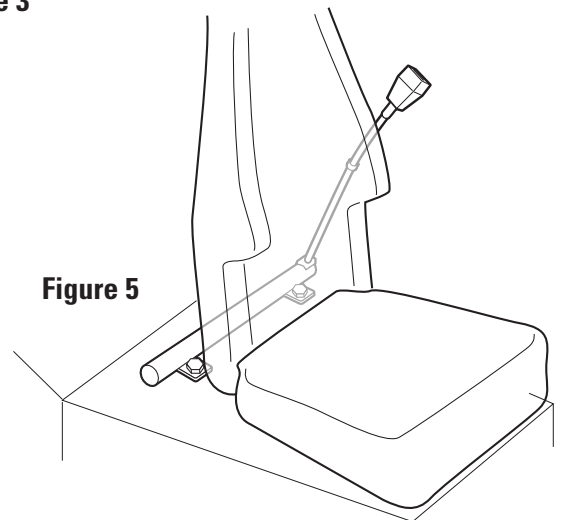


Figure 5

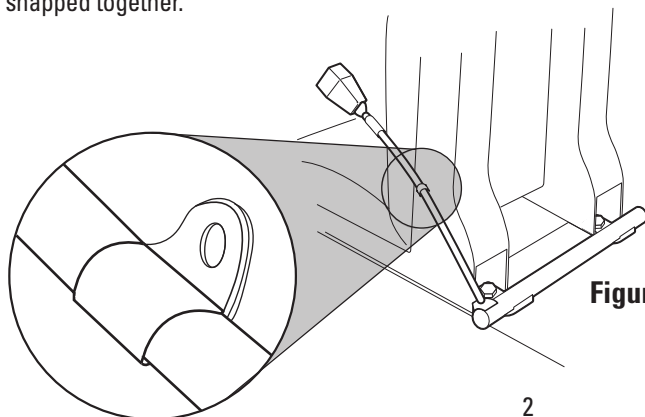


Figure 6