

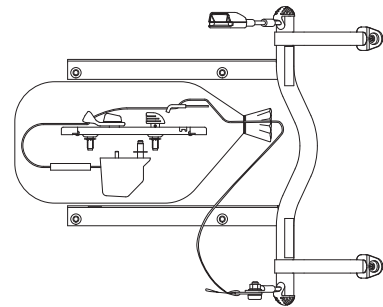
S4S ICP Bar Mounting Installation Instructions



18881 IMMI Way
Westfield, IN 46074
U.S.A.

What is the S4S ICP bar and how does it work?

The S4S ICP bar is designed to be used with IMMI's S4S seat pull down system and the Seats Inc., Ultra low suspension. The bar should only be used with this system. When used with the S4S system, the ICP bar will remove slack from the 3-point belt system similar to a buckle pretensioner, tightening the belt around the occupant.



ICP Bar Installation

1. Remove ICP bar from carton. The 3-point seat belt will be attached to the end fitting side of the bar upon removal. Leave the belt in place during installation. Inspect the bar and belt for any damage that may have occurred in shipping.

2. Install ICP bar in seat assembly as shown between seat suspension and seat slides. Torque nuts to 101 inch-lbs.

Figure 1

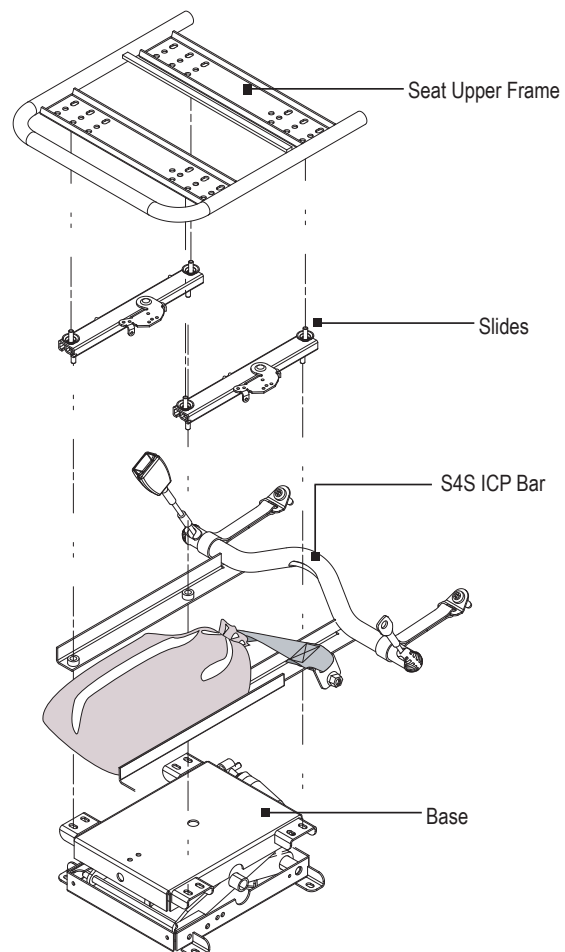
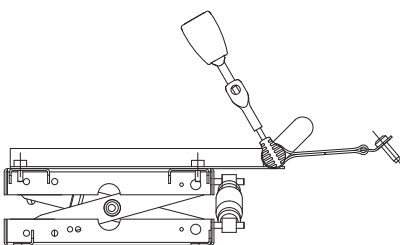


Figure 1



15326