

# S4S ICP Bar Mounting Installation Instructions

The S4S ICP Bar is only effective when used with a seat belt. Always wear your seat belt.

**Important facts:  
PLEASE READ THIS ENTIRE  
GUIDE BEFORE INSTALLING THE  
S4S ICP BAR**

- S4S ICP Bar is to be used in a specific vehicle application and seating position.
- Use this S4S ICP Bar installation guide in addition to the vehicle manufacturer's guide.
- Use only IMMI provided fasteners.

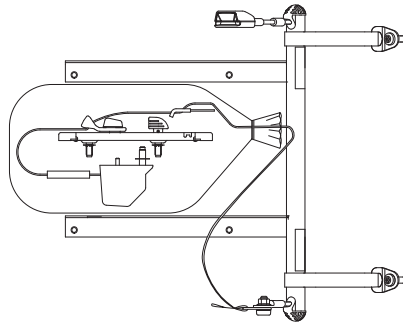
The S4S ICP bar is designed to be used with IMMI's S4S seat pull down system. The bar should only be used with this system. When used with the S4S system, the ICP bar will, in certain accidents, depending on the types of sensors installed in the vehicle, remove slack from the 3-point belt system similar to a buckle pretensioner, tightening the belt around the occupant.

## Please follow all installation procedures.

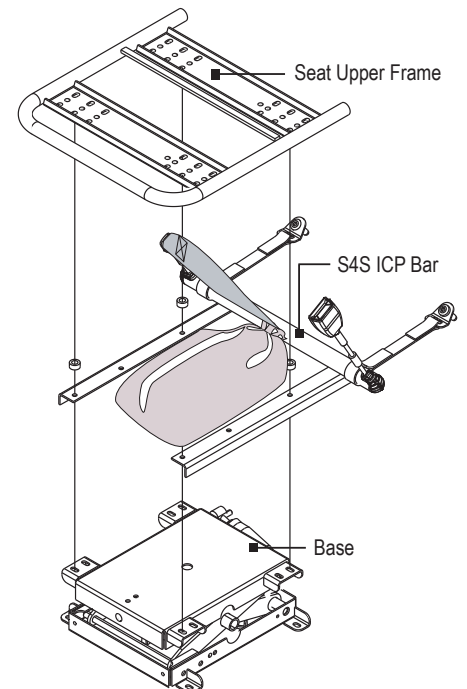
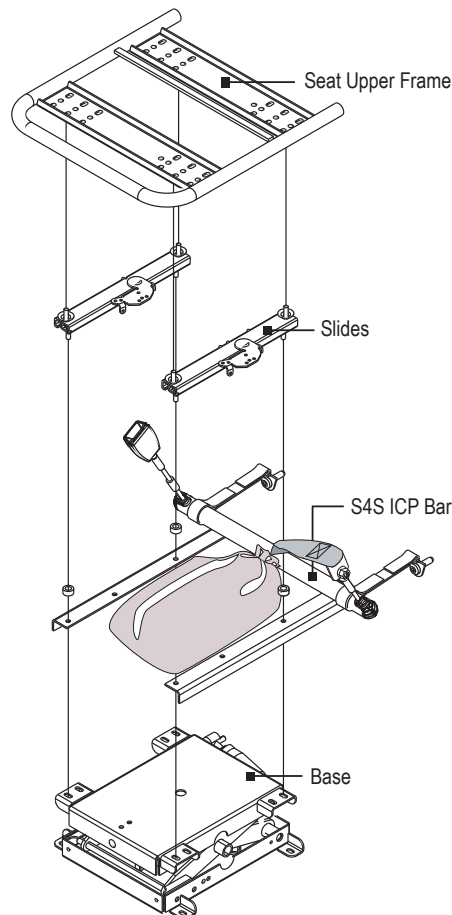
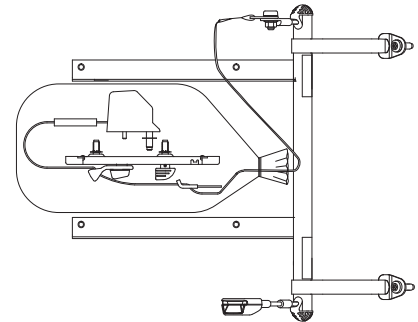
1. Remove ICP bar from carton. The 3-point seat belt will be attached to the end fitting side of the bar prior to ICP seat installation. Torque bolts to 35-40ft-lbs. Leave the belt in place during installation. Inspect the bar and belt for any damage that may have occurred in shipping.
2. Install ICP bar in seat assembly as shown between seat suspension and seat slides. Torque nuts to 101 inch-lbs. Use (4) bushings if supplied in box.

Note: PNs 71-1800 and 71-1799 do not require any spacers.

**Driver's Seat**



**Officer's Seat**



\*15703\*