



# International/IC Conventional and Transit Installation Instructions for XChange

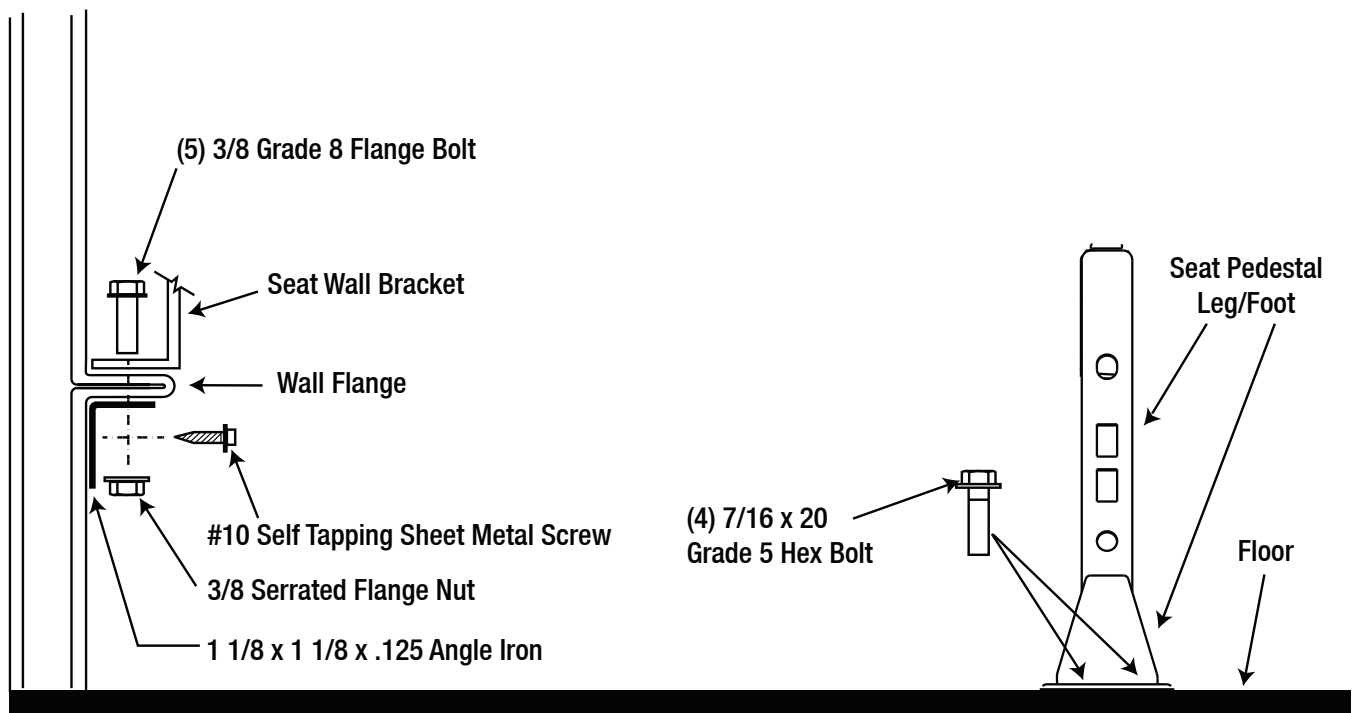
18881 IMMI Way  
Westfield, IN 46074 USA  
317-896-9531  
Fax 317-896-2142  
www.safeguardseat.com

**▲ WARNING**  
Read these instructions carefully. Failure to install products in accordance with the instructions in these Installation Instructions and those provided by the Vehicle Manufacturer can result in serious injury or death.

1. Remove existing seat. Plug all holes in floor with silicone caulking and some type of capping (e.g., Christmas tree fastener, rubber plug, etc.)
2. Perform this step for IC buses built before January 15, 2010. Locate 36" long wall reinforcement channel under existing wall mounting flange in area where SafeGuard seat will be attached. Trim channel locally to clear wall projections if necessary. Secure to wall using (10) #6 sheet metal screws. (Reference Figure 1.)
3. Position seat according to floor layout design.
4. If drill fixture is available, mark seat position on bus body floor and wall flange. Remove seat and set drill fixture to markings. If drill fixture is not available, use seat as hole guide.
5. Using a 7/16" drill bit, drill five (5) holes along bus body wall flange; three rear holes and two front holes are required. If a fixture is not available, use the holes in the wall bracket of the positioned seat to guide drilling.
6. Using a 1/2" drill bit, drill four (4) holes in the bus body floor; two rear pedestal (leg/foot) mount holes and two front pedestal (leg/foot) holes are required. If a fixture is not available, use the holes in the pedestal (leg/foot) of the positioned seat to guide drilling. Holes must go through bus body floor.
7. Install five (5) 3/8-16 x 1 1/2" Grade 8 bolts (with flange head and locking patch) through bus body wall flange and seat wall mount bracket. Secure bolts with flange nut. Torque bolts to 15-25 ft-lbs. (Reference Figure 1.)

**FIGURE 1.**

continued on back >



Reference Figure 2 for fastening detail.

8. Install four (4) 7/16-20 x 2 1/2" Grade 5 bolts (with flange head and locking patch) through seat pedestal (feet) and floor. From underside of bus body, secure front two bolts with hardened 1 5/8" x .100" thick washer and flange nut. Torque bolts to 15-25 ft-lbs. Secure rear two bolts with included reinforcement plate. If drilled holes should pass through bus body floor in an open area, have reinforcement short flange orient to the ground. If drilled hole should pass through a bus body cross-member or when the bolt is adjacent to a vertical wall of the channel, invert the reinforcement so that the flange is oriented to the bus floor. Use a 7/16-20 x 4" (or 5" for taller cross member) Grade 5 flange bolt with locking patch (Longer bolts are not included). Torque standard flange head nuts to 15-25 ft-lbs. (Reference Figure 2.)
9. Latch each belt tongue to its buckle. If a retractor is locked up, pull tight on the shoulder belt webbing to take out slack in the spooled webbing. Release the webbing and the retractor should unlock.

**WARNING:** Failure to use hardware without locking provision could result in loosening of seat and possible serious injury or death to passenger!

**FIGURE 2.**

