

CargoBuckle®

**PREMIER
CARGO
MANAGEMENT
SOLUTIONS**

Just Hook, Ratchet & Go®

BoatBuckle®



**PREMIER
MARINE
TIE-DOWN
SOLUTIONS**





**Just Hook,
Ratchet & Go®**

CARGOBUCKLE ®

**PREMIER CARGO
MANAGEMENT SOLUTIONS**



What makes IMMI's CargoBuckle® and BoatBuckle®, the best tie-downs on the market? They're made by a company dedicated to Bringing Safety to People.® IMMI is a global, trusted leader in safety. We engineer, test, and manufacture advanced safety systems designed to protect children, firefighters, truckers, soldiers, and more. Every day, millions of people depend on our products to bring them, and their loved ones, home safely. So when it comes to keeping your valuable gear safe and secure, no one does it better or makes it easier than IMMI. Hook, Ratchet, and Go® with the most trusted tie-downs in the industry.



LESS WORK. MORE PLAY.

Get rolling faster with CargoBuckle

The CargoBuckle Retractable Ratchet tie-down system takes the hassle out of securing gear. Longer, heavier web enables you to tie down more equipment in more applications, conveniently and securely. Just hook, ratchet and go!

All CargoBuckles can be permanently mounted with one bolt on a trailer, toy hauler, cargo rack, lift, truck, ladder rack and in various other applications.

- Permanent one-bolt installation
- Six-foot reach, self-retracting web
- Anti-corrosive construction
- Dual safety lock security
- Seat belt quality, polyester web
- Interactive display package
- Optional adapters available to enable mobility

RETRACTABLE TIE-DOWN



BEST SELLER

RETRACTABLE TIE-DOWN SYSTEM



Part Number	F18800
Size	2" x 72"
Break Strength / SWL	3,500 lbs. ea. / 1,167 lbs. ea.
Package Style	2 per interactive display
Case Quantity	4

BEST SELLER

RETRACTABLE MINI G-3 TIE-DOWN SYSTEM



Part Number	F103745
Size	1" x 72"
Break Strength / SWL	1,400 lbs. / 466 lbs. ea.
Package Style	2 per interactive display
Case Quantity	4

BEST SELLER

1" RETRACTABLE TIE-DOWN WITH SEWN S HOOK



Part Number	F111640
Size	1" x 72"
Break Strength / SWL	1,400 lbs. / 466 lbs. ea.
Package Style	2 per clam package
Case Quantity	4

FLUSH MOUNT SYSTEM



BEST SELLER

**LADDER RACK SYSTEM
1.25" SQUARE**



BEST SELLER

LADDER RACK SYSTEM 2" ROUND



INDUSTRIAL J-HOOK

SEAT BELT QUALITY WEB

SELF-RETRACTING WEB

STAINLESS STEEL INTERNAL SPRING

PROTECTIVE PLASTIC COVER

ZINC COAT PLATED STEEL ANTI-CORROSIVE FRAME

PERMANENT ONE-BOLT INSTALLATION

LOCK OUT MODE FOR EASY APPLICATION

EASY PUSH LEVER RELEASE



Part Number	F18804	F18816	F18821
Size	2" x 72"	7'	7'
Break Strength / SWL	3,500 lbs. / 1,167 lbs.	2,000 lbs. / 677 lbs. ea.	2,000 lbs. / 677 lbs. ea.
Package Style	1 per carton	2 pack	2 pack
Case Quantity	4	4	4

S-HOOK ADAPTER STRAP



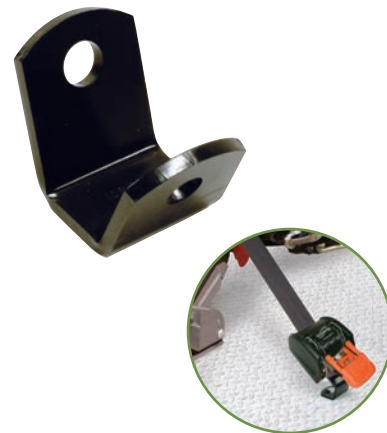
Part Number	F14086
Size	9.5"
Break Strength / SWL	2,500 lbs. / 833 lbs. ea.
Package Style	2 per clam package
Case Quantity	12

E-TRACK ADAPTER STRAP



Part Number	F14087
Size	7"
Break Strength / SWL	2,500 lbs. / 833 lbs. ea.
Package Style	2 per clam package
Case Quantity	12

MOUNTING BRACKET



Part Number	F16777
Size	n/a
Break Strength / SWL	2,500 lbs. / 833 lbs. ea.
Package Style	2 per clam package
Case Quantity	12

SOFT LOOP HOOK CONVERTER



Part Number	F126817
Size	1" x 15"
Break Strength / SWL	3,500 lbs. / 1,167 lbs. ea.
Package Style	2 per package
Case Quantity	20

PVC PROTECTIVE PADS



Part Number	F13274
Size	For 1" web
Package Style	2 per clam package
Case Quantity	12



Part Number	F13180
Size	For 2" web
Package Style	2 per clam package
Case Quantity	12

**RATCHET TIE-DOWN PRO
SERIES 4-PACK**



**RATCHET TIE-DOWN
VALUE PACK**



**RATCHET STRAP WITH
DOUBLE J-HOOKS & KEEPER**



Part Number	F18744	F12636	F14060
Size	1" x 15'	1" x 15'	1" x 12'
Break Strength / SWL	1,500 lbs. / 500 lbs. ea.	1,500 lbs. / 500 lbs. ea.	1,000 lbs. / 333 lbs. ea.
Package Style	Display 4-pack	4 per clam package	Clam single item
Case Quantity	10	10	N/A



RATCHET STRAP WITH S-HOOKS



CAM BUCKLE TIE-DOWN VALUE PACK



CAM BUCKLE SPORTS TIE-DOWN



Part Number	F13758	F12637	F14061
Size	2" x 15'	1" x 6'	1" x 5.5'
Break Strength / SWL	2,500 lbs. / 833 lbs.	800 lbs. / 267 lbs. ea.	1,200 lbs. / 400 lbs. ea.
Package Style	Clam single item	4 per clam package	2 per clam package
Case Quantity	6	10	6

CONTINUOUS LOOP RATCHET



Part Number	F13757	F100014
Size	1" x 15'	2" x 20'
Break Strength / SWL	1,000 lbs. / 333 lbs.	10,000 lbs. / 3,333 lbs.
Package Style	Clam single item	Self-storing case
Case Quantity	6	4

REEL-SMART TOW STRAP

Heavy Duty Tow Strap with Reel-Smart Storage Case. NO MORE TANGLED TOW STRAPS! Easy reel-and-store case fits under seat or in trunk for easy access. Heavy-duty, 2" web for maximum resistance to fraying or tearing.



Place loop end over knob and rotate to wind web.





CargoBuckle 

cargobuckle.com



Just Hook,
Ratchet & Go®



BoatBuckle 

**PREMIER MARINE
TIE-DOWN SOLUTIONS**

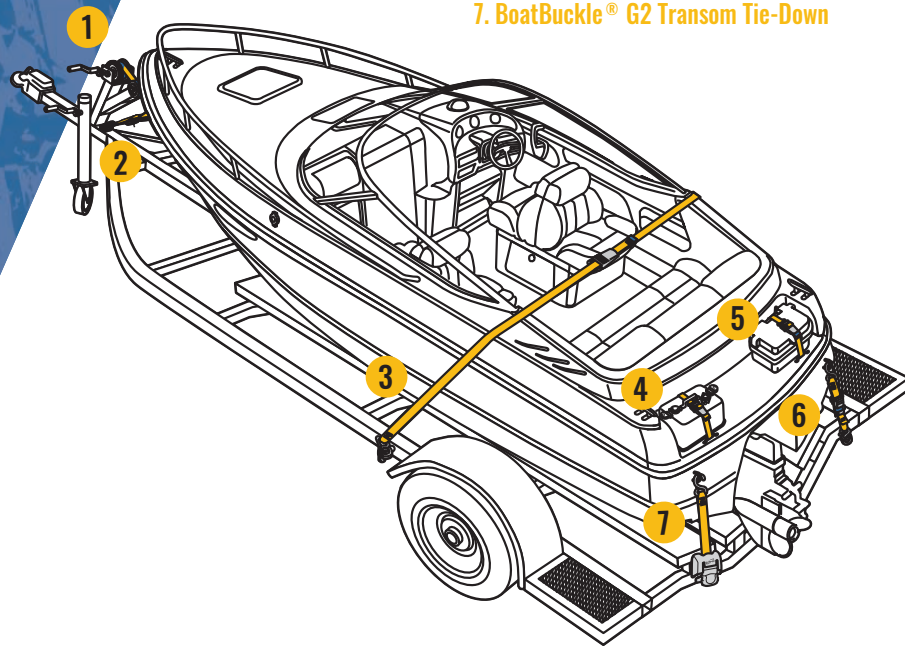
A Brand of

IMMI 

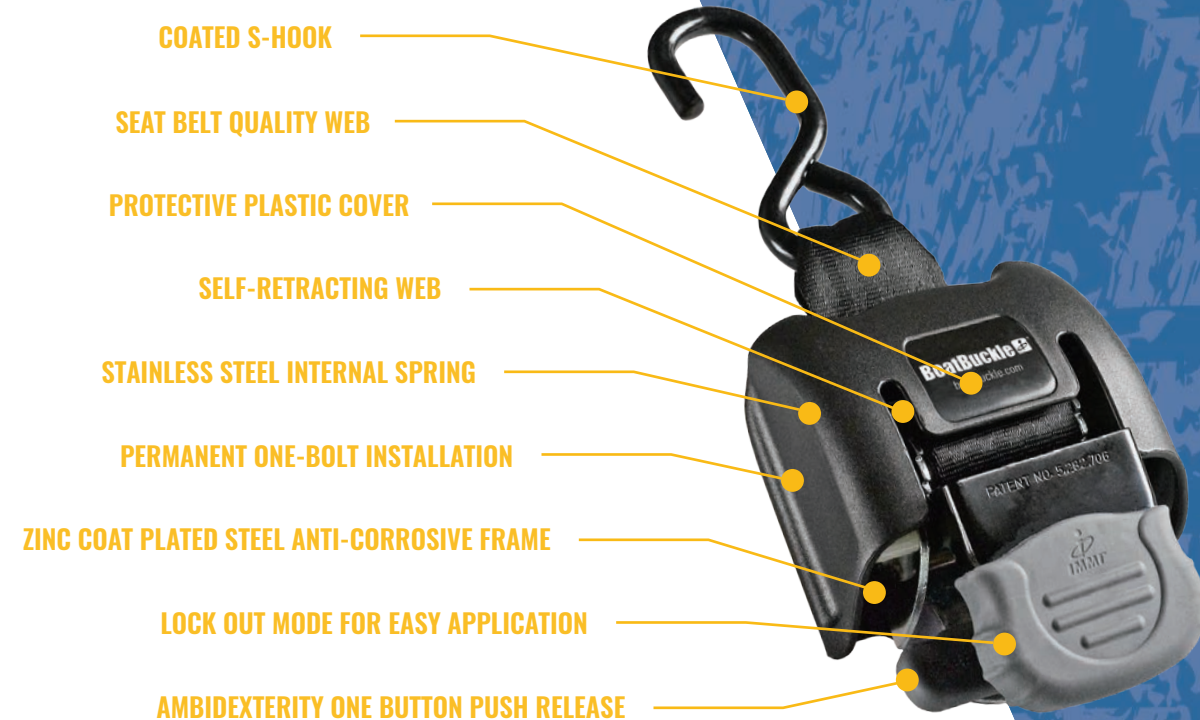
18881 IMMI Way | Westfield, IN 46074 | 888.439.3131 | imminet.com

Spend more time in the water and less on the ramp. BoatBuckle offers professional fishermen and weekend boaters convenient, high quality tie-down systems. With no tangled straps to fuss with or lose, and quick easy installation, it's easy to see why BoatBuckle is the most popular marine tie-down in the industry!

BoatBuckle has a solution for all your tie-down needs.



1. Winch Strap
2. Bow Tie-Down
3. Gunwale Tie-Down
4. Gas Tank Tie-Down
5. Battery Box Tie-Down
6. Kwik-Lok® Tie-Down
7. BoatBuckle® G2 Transom Tie-Down



BEST SELLER

MINI RETRACTABLE TRANSOM TIE-DOWN



Part Number	F106877
Size	Up to 72"
Break Strength/SWL	1,400 lbs. / 466 lbs. ea.
Package Style	2 per interactive display
Case Quantity	4

UNIVERSAL MOUNTING BRACKET KIT

Universal Mounting Bracket for flexible mounting options.



Part Number	F14254
Size	5,000 lbs. / 1,666 lbs.
Break Strength/SWL	5,000 lbs. / 1,666 lbs.
Package Style	Clam kit
Case Quantity	12

BEST SELLER

RETRACTABLE TRANSOM TIE-DOWN 2" WEB



Part Number	F08893
Size	Up to 43"
Break Strength/SWL	2,500 lbs. / 833 lbs. ea.
Package Style	2 per interactive display
Case Quantity	4

STAINLESS STEEL RETRACTABLE TRANSOM TIE-DOWN



Part Number	F14256
Size	Up to 43"
Break Strength/SWL	1,500 lbs. / 500 lbs. ea.
Package Style	2 per interactive display
Case Quantity	4

RETRACTABLE BOW TIE-DOWN



Part Number	F14220
Size	Up to 43"
Break Strength/SWL	2,500 lbs. / 833 lbs.
Package Style	1 per interactive display
Case Quantity	4

**STAINLESS STEEL
RETRACTABLE BOW
TIE-DOWN**



**RETRACTABLE GUNWALE
TIE-DOWN**



**BEST
SELLER**

**RODBUCKLE GUNWALE /
DECK MOUNT**



**RODBUCKLE CONCEALED
MOUNTING KIT**



RODBUNK



**RODBUNK DELUXE
WITH SNAP-LOCK
CONNECTOR & BUILT
IN ADJUSTER**



Part Number	F14393	F14221	F14200
Size	Up to 43"	2" x 38"	24"
Break Strength/SWL	1,500 lbs. / 500 lbs.	2,500 lbs. / 833 lbs. ea.	N/A
Package Style	1 per interactive display	2 per interactive display	Clam single item
Case Quantity	4	4	12

Part Number	F14202	F17726	F17727
Size	N/A	30" x 65"	30" x 65"
Break Strength/SWL	N/A	N/A	N/A
Package Style	Clam kit	Display kit	Display kit
Case Quantity	12	12	12



**VERTICAL ROD
HOLD-DOWN**



**DECK MOUNT ROD
HOLD-DOWN**



**STRETCH DECK
MOUNT ROD
HOLD-DOWN**



**TROLLING MOTOR
TIE-DOWN**



Part Number	F15435	F15433	F15434	F15437
Size	12"	10" x 6"	12" x 6"	N/A
Break Strength/SWL	N/A	N/A	N/A	N/A
Package Style	Clam set	Clam set	Clam set	Clam single item
Case Quantity	12	12	12	12

PRO SERIES KWIK-LOK® TRANSOM TIE-DOWNS

Pro Series Kwik-Lok Transom Tie-Down provides zinc-coated steel trailer hooks and vinyl-coated steel top hooks which resist cracking and peeling.

All Pro-Series tie-downs feature a SUR-Grip Kwik-Lok buckle for maximum comfort. For added safety and security, the transom and gunwale tie-downs also come standard with Hi-Vis protective PVC pads and our Night Eyes reflective closure patch for increased visibility in low light conditions.



Part Number	F17631	F17632	F17633	F18740
Size	2" x 2'	2" x 4'	2" x 6'	1" x 3'
Break Strength/SWL	1,200 lbs. / 400 lbs. ea.	1,200 lbs. / 400 lbs. ea.	1,200 lbs. / 400 lbs. ea.	1,200 lbs. / 400 lbs. ea.
Package Style	2 per display pkg	2 per display pkg	2 per display pkg	2 per display pkg
Case Quantity	12	12	12	12

PRO-SERIES RATCHET TRANSOM TIE-DOWNS

Pro Series Ratchet Tie-down offers protective web pad along with a molded SUR-Grip handle for greater ease in ratcheting.

PRO SERIES KWIK-LOK® GUNWALE TIE-DOWNS

Pro Series Gunwale Tie-Down features vinyl-coated S-hooks with keepers as well as a built-in closure that stores excess web while trailering.



Part Number	F17634	F17635	F17636	F17637
Size	2" x 10'	2" x 13'	2" x 16'	2" x 20'
Break Strength/SWL	1,200 lbs. / 400 lbs.	1,200 lbs. / 400 lbs.	1,200 lbs. / 400 lbs.	1,200 lbs. / 400 lbs.
Package Style	1 per display pkg	1 per display pkg	1 per display pkg	1 per display pkg
Case Quantity	12	12	12	12

**PRO SERIES
KWIK-LOK®
BOW TIE-DOWN**



**KWIK-LOK®
TRANSOM TIE-DOWNS WITH
360° ROTATING HOOK**



Patented.

Part Number	F18741	F13128	F13130
Size	1" x 3'	2" x 2'	2" x 4'
Break Strength/SWL	1,200 lbs. / 400 lbs.	1,200 lbs. / 400 lbs. ea.	1,200 lbs. / 400 lbs. ea.
Package Style	1 per display pkg	2 per interactive display	2 per interactive display
Case Quantity	12	12	12

**KWIK-LOK®
TRANSOM TIE-DOWNS**

These quality, Kwik-Lok buckle tie-downs feature protective web pad to keep buckle hardware from coming in contact with boat surfaces. The Kwik-Lok buckle tie-downs are available in 1" and 2" widths.



**BEST
SELLER**

Part Number	F13109	F13110	F13111	F13112
Size	1" x 4'	2" x 2'	2" x 4'	2" x 6'
Break Strength/SWL	1,200 lbs. / 400 lbs. ea.	1,200 lbs. / 400 lbs. ea.	1,200 lbs. / 400 lbs. ea.	1,200 lbs. / 400 lbs. ea.
Package Style	2 per clam pkg	2 per clam pkg	2 per clam pkg	2 per clam pkg
Case Quantity	12	12	12	12



**STAINLESS STEEL
KWIK LOK®
TRANSOM TIE-DOWNS**



The Stainless Steel tie-downs offer BoatBuckle quality stainless steel components, right down to the rivets and springs.

**BEST
SELLER**

Part Number	F12613	F12065	F12066	F12067
Size	1" x 3.5'	2" x 2'	2" x 4'	2" x 6'
Break Strength/SWL	1,000 lbs. / 333 lbs. ea.	1,000 lbs. / 333 lbs. ea.	1,000 lbs. / 333 lbs. ea.	1,000 lbs. / 333 lbs. ea.
Package Style	2 per display pkg	2 per display pkg	2 per display pkg	2 per display pkg
Case Quantity	12	12	12	12

CUSTOM EMBROIDERED KWIK-LOK® TRANSOM TIE-DOWN

Customize your tie-downs with your own digitized logo or artwork.



Part Number	F07930	F07931	F07933
Size	2" x 2'	2" x 4'	2" x 6'
Break Strength/SWL	1,200 lbs. / 400 lbs. ea.	1,200 lbs. / 400 lbs. ea.	1,200 lbs. / 400 lbs. ea.
Package Style	Bulk pair	Bulk pair	Bulk pair
Case Quantity	10	10	10

TRANSOM TUNE-UP VALUE PACK

This kit is designed to promote three-point tie-down safety on your trailer with a transom tie-down, a bow tie-down, a winch strap with a FREE replacement bolt.



Part Number	F14251	F14206	F14207	F14208
Size	2" x 4' / 1" x 3' / 2" x 20'	2" x 2'	2" x 4'	2" x 6'
Break Strength/SWL		2,500 lbs. / 833 lbs. ea.	2,500 lbs. / 833 lbs. ea.	2,500 lbs. / 833 lbs. ea.
Package Style	Clam kit	2 per clam pkg	2 per clam pkg	2 per clam pkg
Case Quantity	6	12	6	6

HEAVY DUTY RATCHET TRANSOM TIE-DOWNS



**RATCHET TRANSOM/
UTILITY TIE-DOWN**



**CAM BUCKLE TRANSOM/
UTILITY TIE-DOWN**

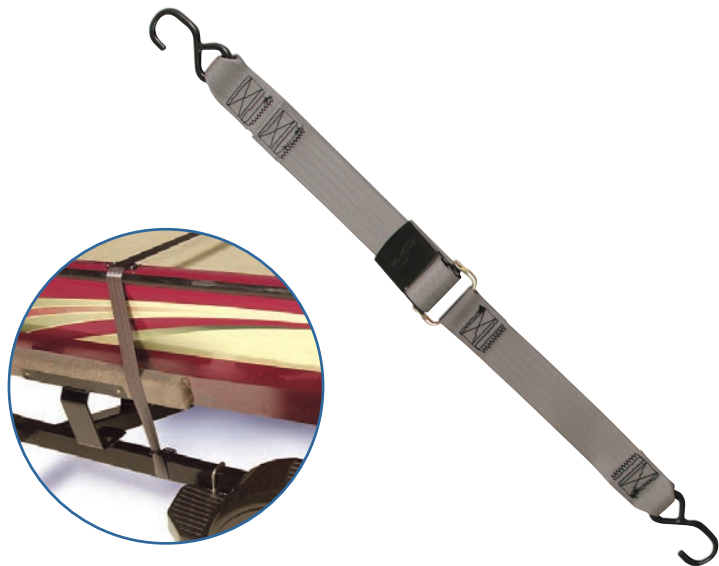


Part Number	F14209
Size	1" x 3'
Break Strength/SWL	1,200 lbs. / 400 lbs. ea.
Package Style	2 per clam pkg
Case Quantity	12

Part Number	F05851
Size	1" x 5.5'
Break Strength/SWL	1,200 lbs. / 400 lbs.
Package Style	Clam single item
Case Quantity	6



**KWIK LOK®
GUNWALE TIE-DOWNS**



Part Number	F13113	F13114	F13115	F13116
Size	2" x 10'	2" x 13'	2" x 16'	2" x 20'
Break Strength/SWL	1,200 lbs. / 400 lbs.	1,200 lbs. / 400 lbs.	1,200 lbs. / 400 lbs.	1,200 lbs. / 400 lbs.
Package Style	Clam single item	Clam single item	Clam single item	Clam single item
Case Quantity	12	12	12	12

**STAINLESS STEEL
KWIK-LOK®
GUNWALE TIE-DOWNS**



Part Number	F12069	F12070	F12071	F12072
Size	2" x 10'	2" x 13'	1" x 16'	2" x 20'
Break Strength/SWL	1,000 lbs. / 333 lbs.	1,000 lbs. / 333 lbs.	1,000 lbs. / 333 lbs.	1,000 lbs. / 333 lbs.
Package Style	Clam single item	Clam single item	Clam single item	Clam single item
Case Quantity	12	12	12	12



STAINLESS STEEL RATCHET GUNWALE TIE-DOWNS



WINCH STRAP WITH LATCH-LOK® TECHNOLOGY

The industry's most innovative hook makes attachment easier than ever. Latch-Lok Technology allows you to simply push-on and squeeze-off. It boasts of 5,500 lb. polyester webbing with a convenient loop end. The interactive package allows shoppers to try the easy Latch-Lok Technology for themselves.



HEAVY DUTY WINCH STRAP WITH LOOP END

Designed for the heaviest of applications, the 2" heavy duty winch strap features 12,000 lb. polyester web and a 9,200 lb. forged steel snap hook.



Part Number	F12597	F12598	F17741	F14211
Size	1" x 12'	1" x 18'	2" x 20'	2" x 25'
Break Strength/SWL	1,000 lbs. / 333 lbs.	1,000 lbs. / 333 lbs.	4,000 lbs. / 1,333 lbs.	8,000 lbs. / 2,667 lbs.
Package Style	Clam single item	Clam single item	Display single item	Clam single item
Case Quantity	6	6	12	12

WINCH STRAP WITH LOOP END

Our boat winch straps feature up to 6,000 lb. polyester webbing and 9,200 lb. forged steel snap hooks. Choose from either 2" or 3", loop or tail end style. Custom lengths and specifications available for OEM's.



Part Number	F14210	F05848	F14212	F14213
Size	2" x 15'	2" x 20'	3" x 20'	3" x 25'
Break Strength/SWL	4,000 lbs. / 1,333 lbs.	4,000 lbs. / 1,333 lbs.	5,000 lbs. / 1,667 lbs.	5,000 lbs. / 1,667 lbs.
Package Style	Clam single item	Clam single item	Clam single item	Clam single item
Case Quantity	12	12	12	12

WINCH STRAP WITH TAIL END



Part Number	F14214	F07674	F14215 (Tail)	F14216 (Loop)
Size	2" x 15'	2" x 20'	2" x 15'	2" x 15'
Break Strength/SWL	4,000 lbs. / 1,333 lbs.	4,000 lbs. / 1,333 lbs.	3,500 lbs. / 1,167 lbs.	3,500 lbs. / 1,167 lbs.
Package Style	Clam single item	Clam single item	Clam single item	Clam single item
Case Quantity	12	12	12	12

P.W.C. WINCH STRAPS

A built-in nylon soft-loop hook enables these tie-downs to attach to your P.W.C. without fear of scratching the gel coat.



**P.W.C. CAM BUCKLE
TRI-DOWN WITH
SOFT HOOK**



**P.W.C. RATCHET
TRI-DOWN WITH
SOFT HOOK**



Part Number	F10972BK	F14218
Size	1" x 6'	1" x 8'
Break Strength/SWL	1,200 lbs. / 400 lbs.	1,200 lbs. / 400 lbs.
Package Style	Clam single item	Clam single item
Case Quantity	12	12



KWIK-LOK® BOW TIE-DOWN



Part Number	F12811	F05343	F05352
Size	1" x 3'	1" x 4'	1.5" x 6'
Break Strength/SWL	1,200 lbs. / 400 lbs.	N/A	N/A
Package Style	Clam single item	Clam single item	Clam single item
Case Quantity	20	20	20

KWIK-LOK® GAS TANK/ BATTERY BOX TIE-DOWN



GAS TANK/BATTERY BOX TIE-DOWN



BATTERY BOX TIE-DOWN



Part Number	F05351	F13274	F13180	F14264
Size	1.5" x 3.5'	1"	2"	1" x 4'
Break Strength/SWL	N/A	N/A	N/A	N/A
Package Style	Clam single item	2 per clam	2 per clam	6 pack clam
Case Quantity	20	12	12	12

PROTECTIVE BOAT PADS



SNAP-LOCK BOAT COVER TIE-DOWN





BoatBuckle®

boatbuckle.com



A Brand of

IMMI®

18881 IMMI Way | Westfield, IN 46074 | 888.439.3131 | imminet.com

© 2020 IMMI All rights reserved. 7604P Rev 01